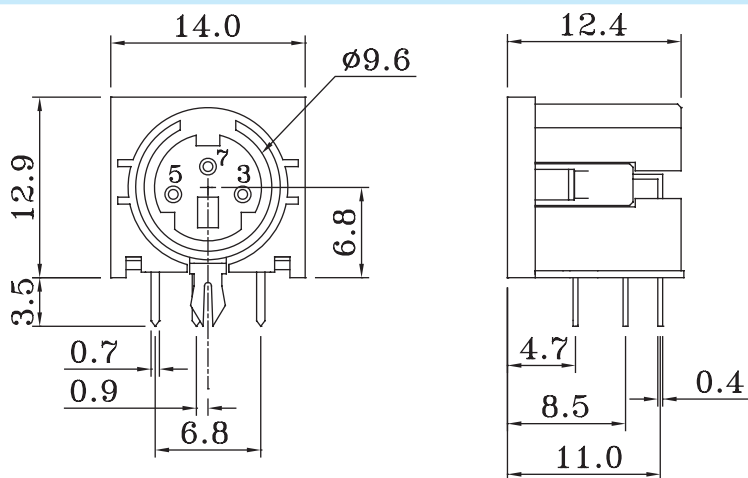


MINI DIN JACK PLASTIC FORK TYPE 3~9PIN



Part No.: MDJ-508E-□A-L
3~9 PORTS

NO.	NAME	MATERIAL	FINISH	Q'TY	REMARK
1	HOUSING	P.B.T.	BLACK	1	
2	CONTACT	PHOS. BRONZE	GOLD-TIN PLATED	3~9	N1:1~5u ; TIN:3u GOLD:1~3u
3	GROUND	BRASS	TIN PLATED	1	TIN:3~5u.
4	BACK COVER	P.B.T.	BLACK	1	

ADD SHELL PART NO.	3 PORT MDJ-508E-3A-L	4 PORT MDJ-508E-4A-L	5 PORT MDJ-508E-5A-L	6 PORT MDJ-508E-6A-L
HOUSING CONTACT				
RECOMMENDED PCB LAYOUT BOTTOM VIEW				
ADD SHELL PART NO.	7 PORT MDJ-508E-7A-L	8 PORT MDJ-508E-8A-L	9 PORT MDJ-508E-9A-L	
HOUSING CONTACT				
RECOMMENDED PCB LAYOUT BOTTOM VIEW				

MINI DIN JACK PLASTIC FORK TYPE 3~9 PIN